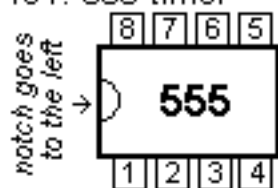


~555 timer HOWTO~

integrated circuit:

IC1: 555 timer



pins numbered CCW from bottom left pin

resistors:

R1:10K (brown-black-orange)

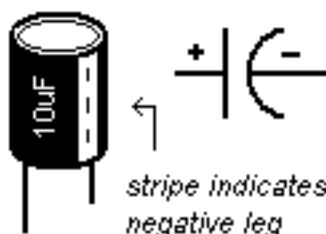
R2:100K (brown-black-yellow)

R3:1K (brown-black-red)



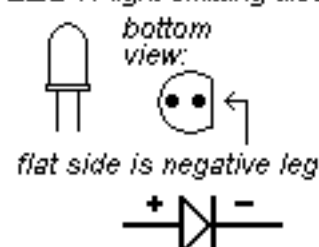
capacitor:

C1: 10uF electrolytic



LED:

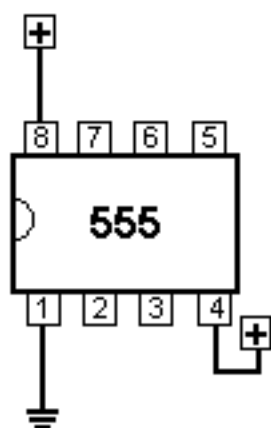
LED1: light emitting diode



step 1:

power hook-ups:

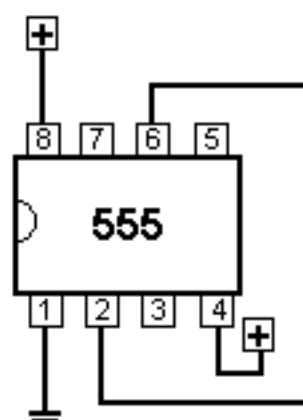
- pin 8 to positive
- pin 1 to ground (negative)
- pin 4 to positive



step 2:

internal connection:

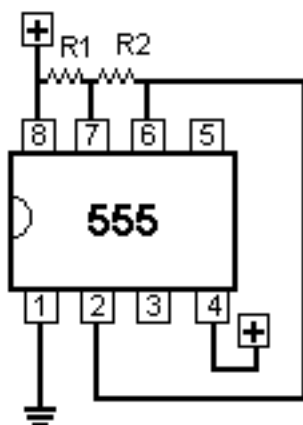
- connect pin 2 to pin 6



step 3:

timing resistors:

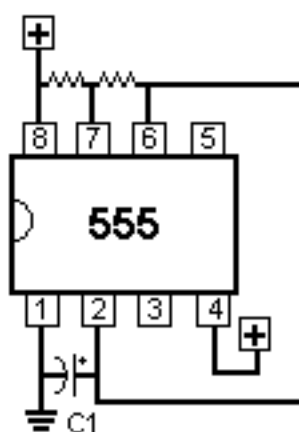
- R1 between pins 7 and 8
- R2 between pins 6 and 7



step 4:

timing capacitor:

- C1 between pins 1 and 2
- ***watch polarity!***



step 5:

hook up LED:

- R3 (current limiting resistor) pin 3 to an empty channel

- positive leg of LED1 to resistor leg, negative leg of LED1 to ground

You're done! LED should blink about once pers second. (1hZ)

