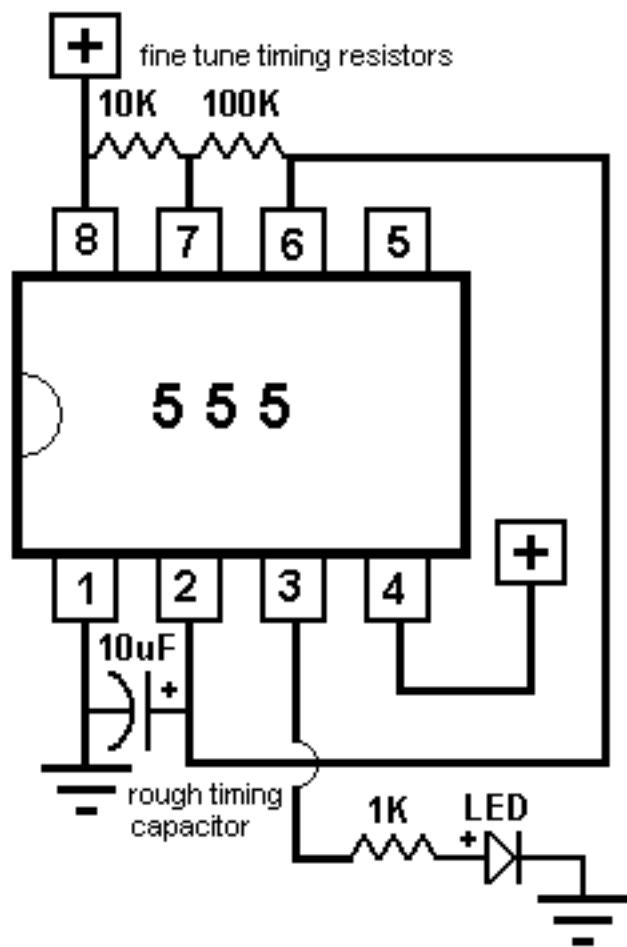
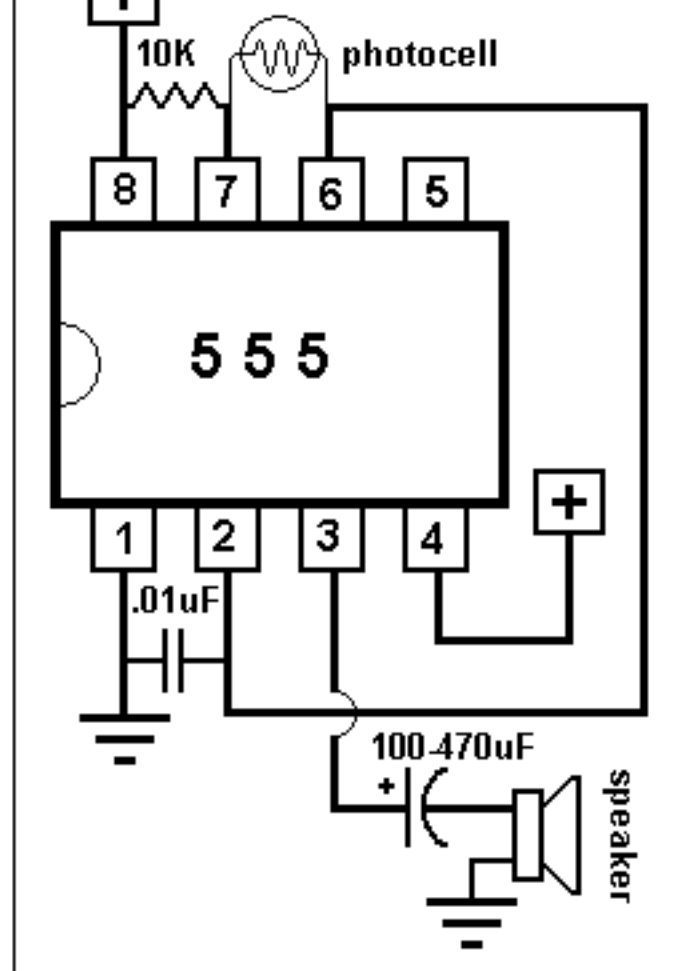


# SOME 555 CIRCUITS

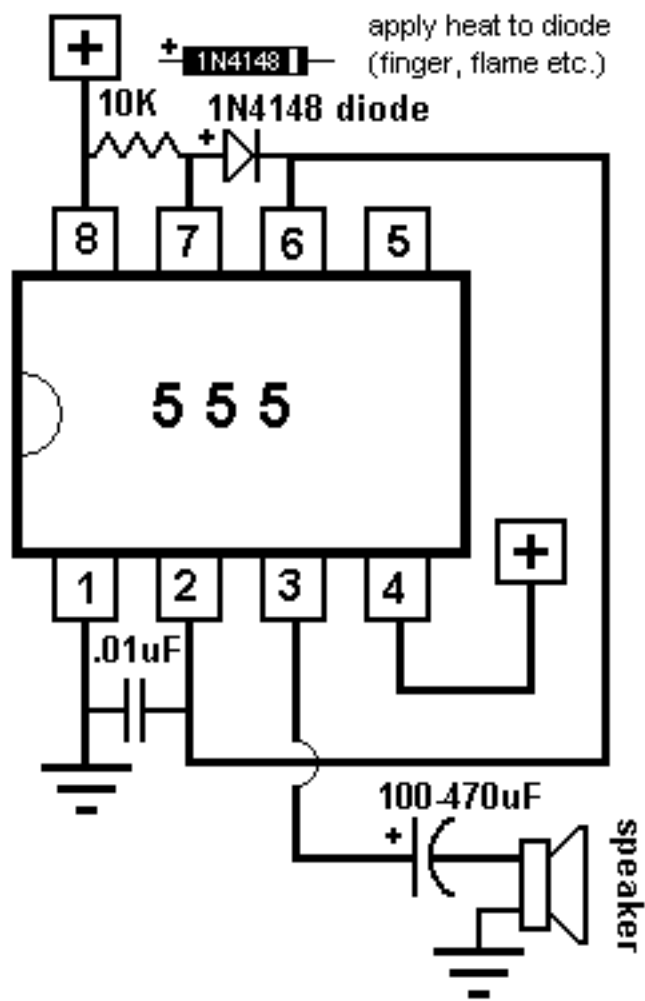
## BASIC TIMER CIRCUIT



## LIGHT CONTROLLED OSCILLATOR



## HEAT SENSITIVE 555



## USING THE MODULATION INPUT (pin 5)

